

NOT FOR CONSTRUCTION: SEE STRUCTURAL PLANS FOR ALL FINAL INFORMATION

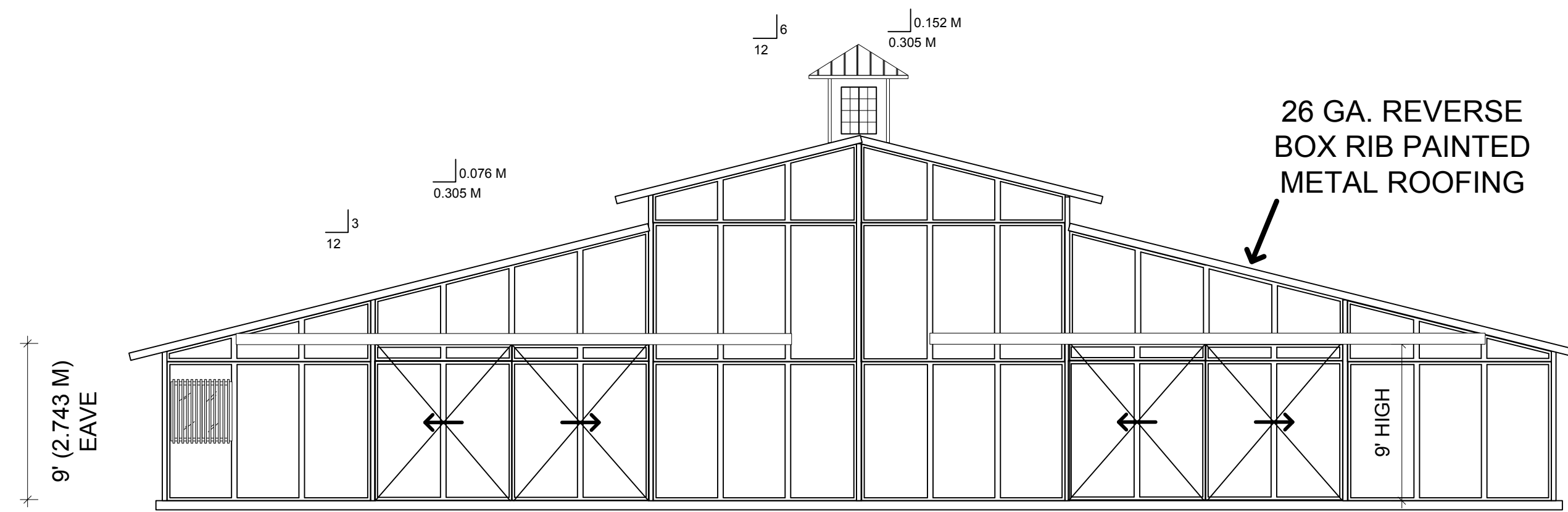
LAYOUT DRAWING ACCEPTED BY: _____ DATE: _____
 LAYOUT DRAWING ACCEPTED BY: _____ DATE: _____
 SALES REPRESENTATIVE: _____ DATE: _____



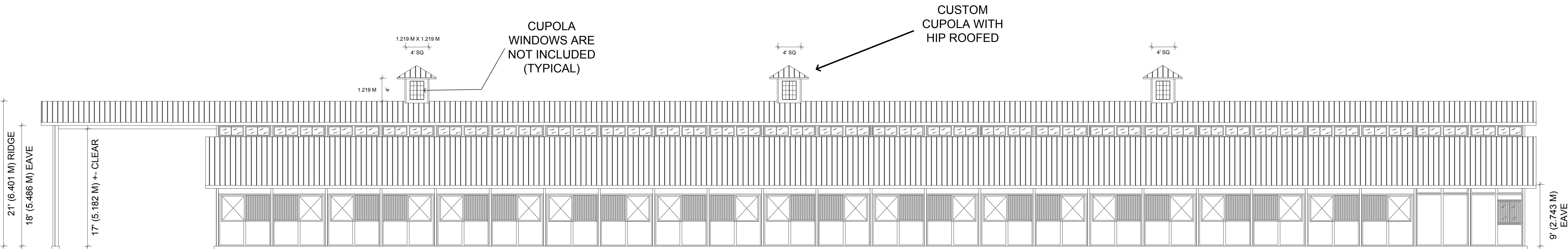
Designed Especially for:
 CHIHUAHUA EQUESTRIAN
 CHIHUAHUA, MEXICO
 By: BARNOLOGIST
 (844) BARN54U

P.O. NUMBER: _____
 DATE: 1-30-13
 REVISED DATE: _____
 PAGE 1 OF 2





END ELEVATION



SIDE ELEVATION



NOT FOR
CONSTRUCTION:
SEE STRUCTURAL
PLANS FOR ALL FINAL
INFORMATION

LAYOUT DRAWING ACCEPTED BY: _____ DATE _____
LAYOUT DRAWING ACCEPTED BY: _____ DATE _____
SALES REPRESENTATIVE: _____ DATE _____



Designed Especially for:
CHIHUAHUA EQUESTRIAN
CHIHUAHUA, MEXICO
By: BARNOLOGIST
(844) BARNS4U

P.O. NUMBER _____
DATE 1-30-13
REVISED DATE _____
PAGE 2 OF 2

