

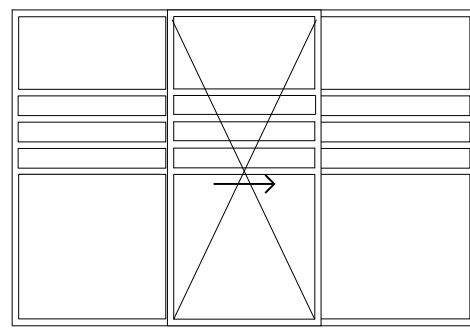
NOT FOR
CONSTRUCTION:
SEE STRUCTURAL
PLANS FOR ALL FINAL
INFORMATION

LAYOUT DRAWING ACCEPTED BY: _____ DATE _____
 LAYOUT DRAWING ACCEPTED BY: _____ DATE _____
 SALES REPRESENTATIVE: _____ DATE _____

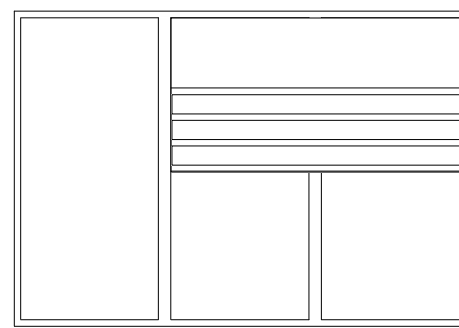


Designed Especially for:
CUSTOMER
SEATTLE, WA
 By: BARNOLOGIST
 (844) BARNS4U

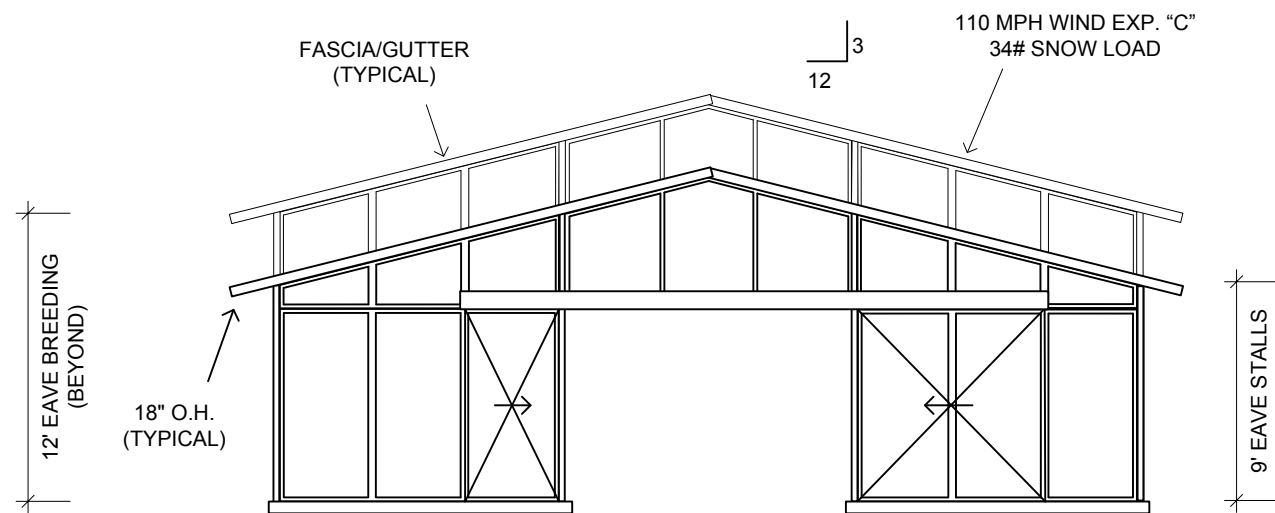
P.O. NUMBER _____
 DATE _____
 REVISED DATE _____
 PAGE 1 OF 2



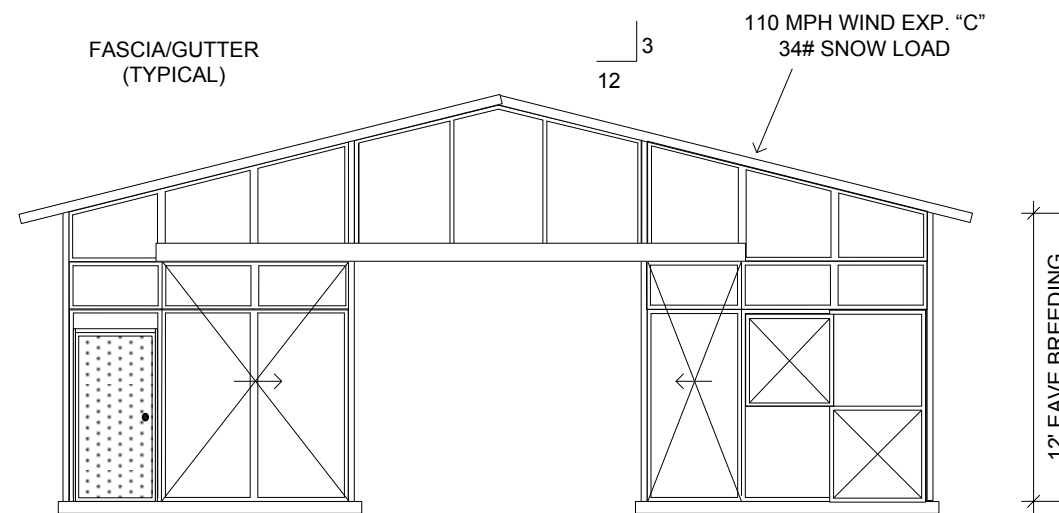
12' STALL FRONT
3 RAIL HORIZONTAL



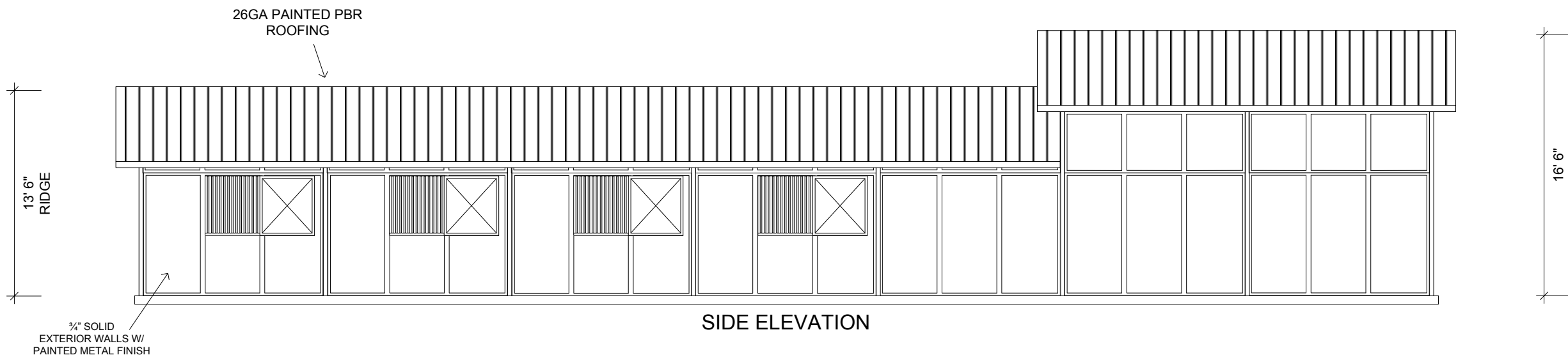
12' DIVIDER
W/ 2/3 3 RAIL H. GRILL



STALL END ELEVATION



BREEDING END
ELEVATION



SIDE ELEVATION

NOT FOR
CONSTRUCTION:
SEE STRUCTURAL
PLANS FOR ALL FINAL
INFORMATION

LAYOUT DRAWING ACCEPTED BY: _____ DATE _____
 LAYOUT DRAWING ACCEPTED BY: _____ DATE _____
 SALES REPRESENTATIVE: _____ DATE _____



Designed Especially for:
CUSTOMER
SEATTLE, WA
 By: BARNOLOGIST
 (844) BARNs4U

P.O. NUMBER _____
 DATE _____
 REVISED DATE _____
 PAGE 2 OF 2